

**Product:** 1 Element DC Hall Effect Analog Current Transducer

**Series:** CE-IZ04-B Case Style B

**Input Range:** 100-800A ~ 800-2500A

**Output:** 0-5V / 0-4V

**Power Source:** ±12 V / ±15V

**Accuracy:** 1.0%

### 1. List of Options

SERIES	OUTPUT	POWER SOURCE	WINDOW(mm)	CASE STYLE	INPUT RANGE
CE-IZ04-B	9: 0-4V 3: 0-5V	5: ±12V 6: ±15V	51 × 12	B1	0-300~1500A
			64 × 16	B2	0-300~1500A
			104 × 22	B3	0-600~2500A
			52 × 22	B4	0-300~1500A
			86 × 26	B5	0-600~1500A
			103 × 36	B6	0-800~2500A
			41 × 11	B7	0-100~800A
			85 × 27	B8	0-600~2500A

### 2. Specifications

<b>LINEARITY RANGE</b>	1.5 times of the maximum of measuring range	<b>RESPONSE TIME</b>	10μS
<b>OVERLOAD CAPABILITY</b>	5 times of the maximum of measuring range	<b>CURRENT CONSUMPTION</b>	≤ 25mA
<b>ACCURACY</b>	1%	<b>ISOLATION</b>	3KVRMS/50Hz/min
<b>OFFSET VOLTAGE</b>	±20mV	<b>OPERATING TEMPERATURE RANGE</b>	-10°C ~ +80°C
<b>HYSTERESIS ERROR</b>	±10mV	<b>STORAGE TEMPERATURE RANGE</b>	-25°C ~ 85°C
<b>TEMPERATURE DRIFT</b>	≤ 500ppm/°C	<b>FIRE RETARDANCY</b>	UL94-V0

### 3. Connection

The current carrying cable must pass through the window. The phase of output is the same as that of the current passing the window in the direction of the arrow indicated on the case.

#### Wiring of Terminals for case style B1, B2, B3, B4, B5, B6, B7:

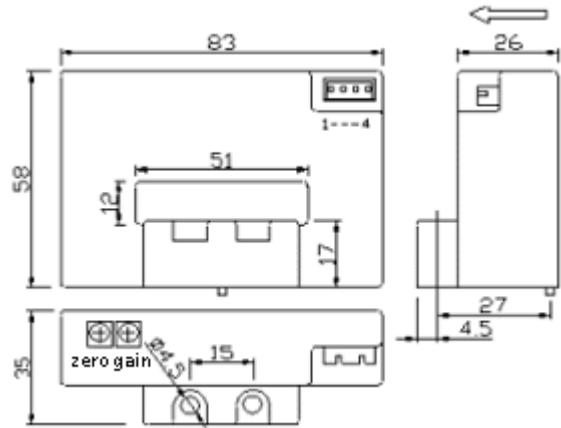
1. +15V/+12V Power Supply
2. 15V/-12V Power Supply
3. Output
4. Ground

#### Wiring of Terminals for case style B8:

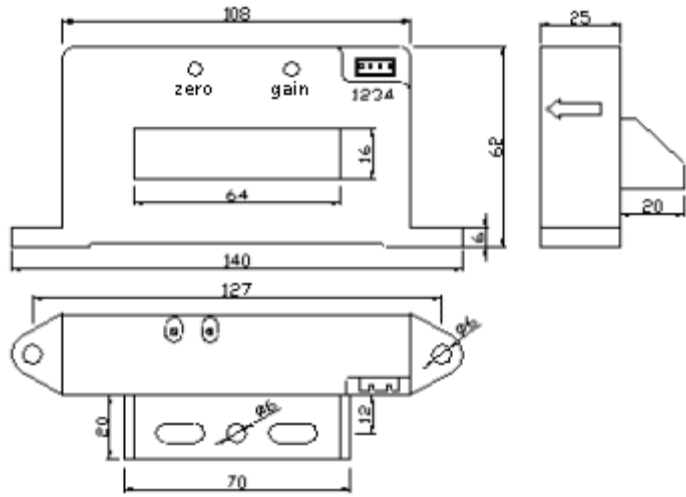
1. +15V/+12V Power Supply
2. Ground
3. 15V/-12V Power Supply
4. Output
5. Inverted Output

#### 4. Cases of series B

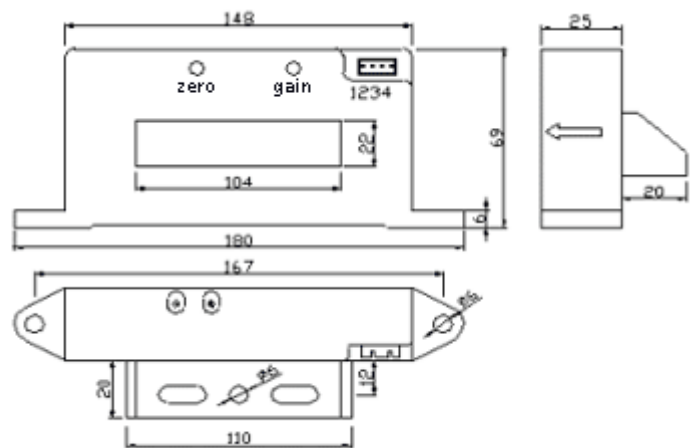
##### Type B1



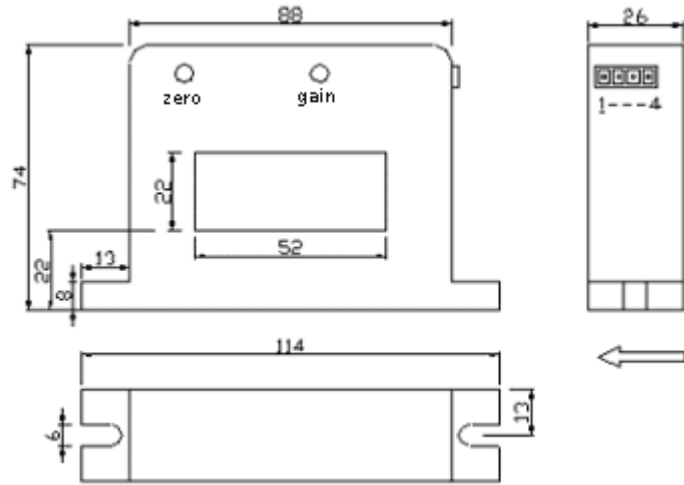
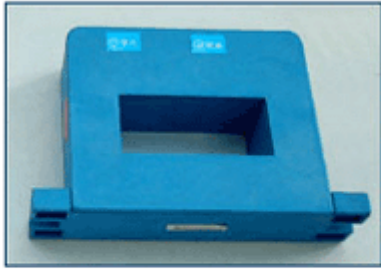
##### Type B2



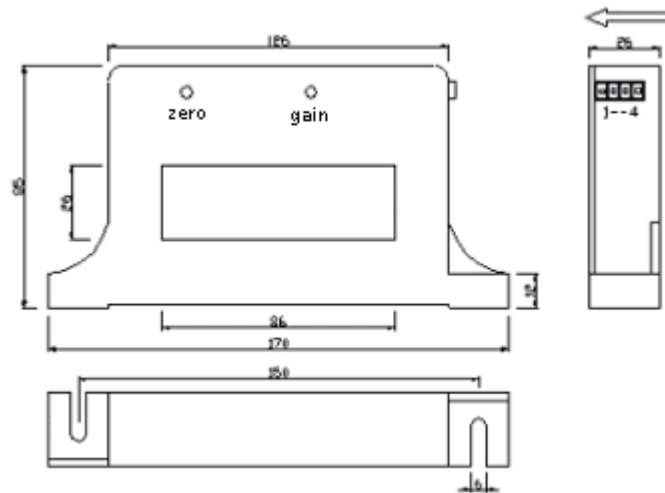
##### Type B3



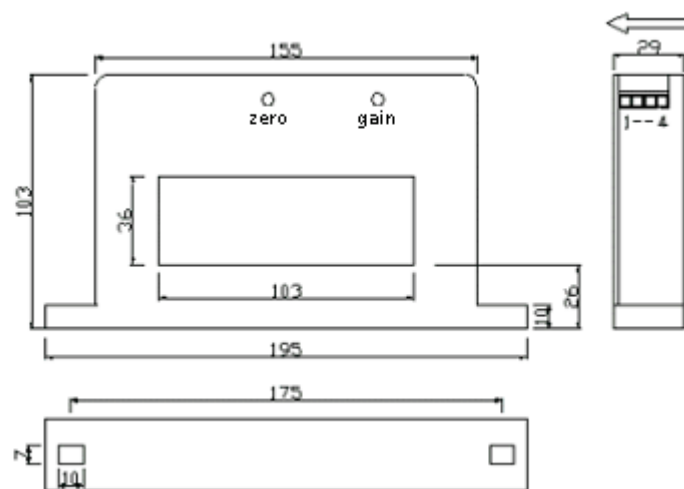
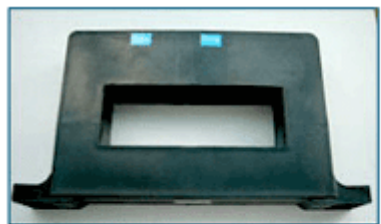
Type B4



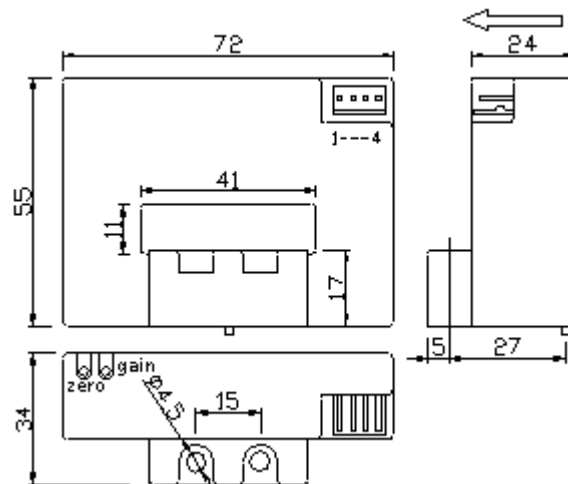
Type B5



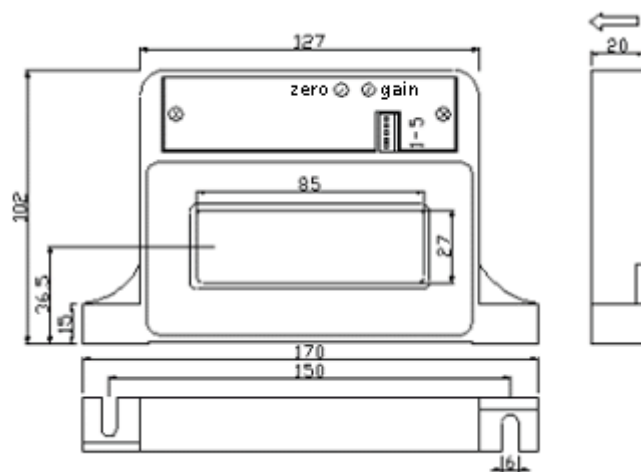
Type B6



### Type B7



### Type B8



**Application Characteristic:** Can be used for measuring DC, AC, pulsed currents, etc. The output of the transducer reflects the real wave of the current carrying conductor.

**Characteristic of Products:** Small size, light in weight, less power consumption, window structure, electrically isolating the output of the transducer from the current carrying conductor, no insertion loss.

**Application:** Frequency conversion timing equipment, various POWER SOURCE, UPS, electric welding machine, transformer substation, numerical control machine tool, electrolyzing equipment, electroplating equipment, electric powered locomotive, microcomputer monitoring, electric power net monitoring.

#### Notes

1. Connect the terminals of POWER SOURCE, outputs respectively and correctly, never make wrong connection.
2. Two potentiometers can be adjusted, only if necessary, by turning slowly to the required accuracy with a small screwdriver.
3. The best accuracy can be achieved when the window is fully filled with bus-bar (current carrying conductor).
4. The in-phase output can be obtained when the direction of current of current carrying conductor is the same as the direction of arrow marked on the transducer.